

1-121 Cylinder Quarter-Turn Pr20.1 L18

Key operable, Double insulated, Optional pre-assembly

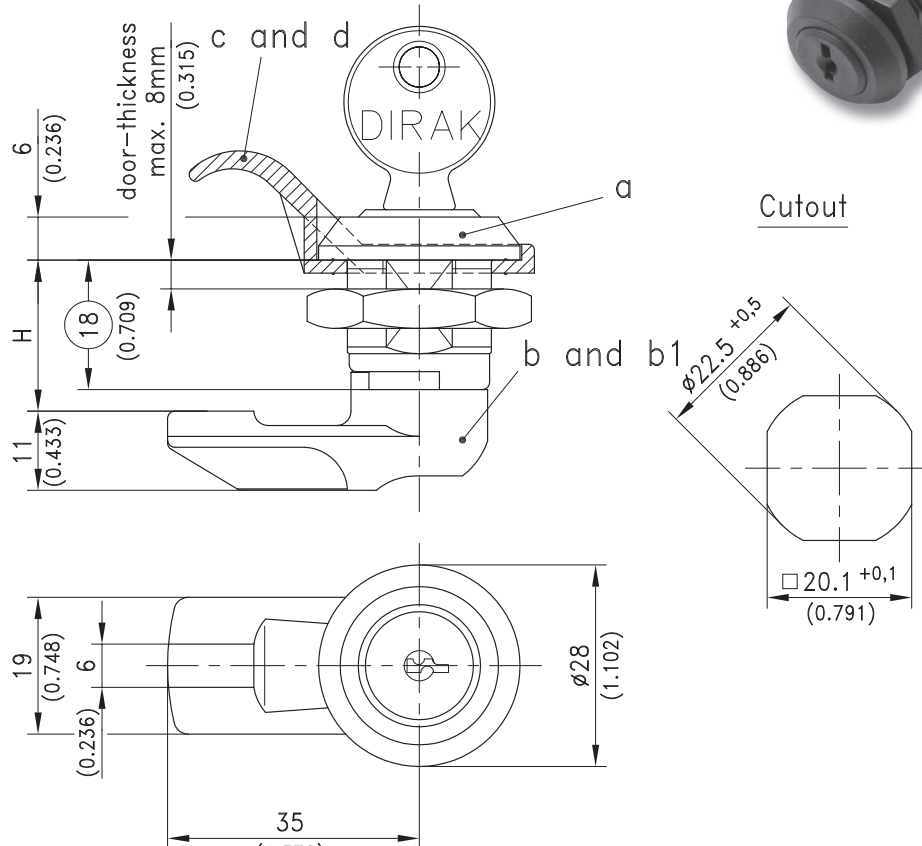


Product Notes:

- RH and LH application
- Components can be pre-assembled by DIRAK upon request
- Pre-assembled Quarter-Turn can be installed in cutout
- Vibration resistant
- Double insulated

Material:

- **Housing:** PA, Black
- **Cam:** PA, Black
- **Finger pull:** PA, Black



a) Housing with tumbler-barrel (Head Ø 28) with:	Keyed alike DIRAK 1333	Keyed Different	See Page
Fastening-nut PA, Black	200-9210	200-9213	
Fastening-nut Steel, Zinc Plated	200-9211	200-9214	
Fastening-nut stainless steel	200-9212	200-9215	
b) Cam PA (black)	H in mm/ inch*		
	18 / 0.709	200-5318	
	20 / 0.787	200-5320	
	22 / 0.866	200-5322	
	25 / 0.984	200-5325	
	28 / 1.102	200-5328	
b1) Cam steel (zinc plated)			01.101, 01.104
c) Finger pull	200-4703.3	200-4703.3	01.106
Optional:			
Water and dust tight according to IP65 by:			
d) Dust cap			01.106
e) Assembling of cam	200-0001	200-0001	
All locks supplied with two keys.			

*Special cams on request.